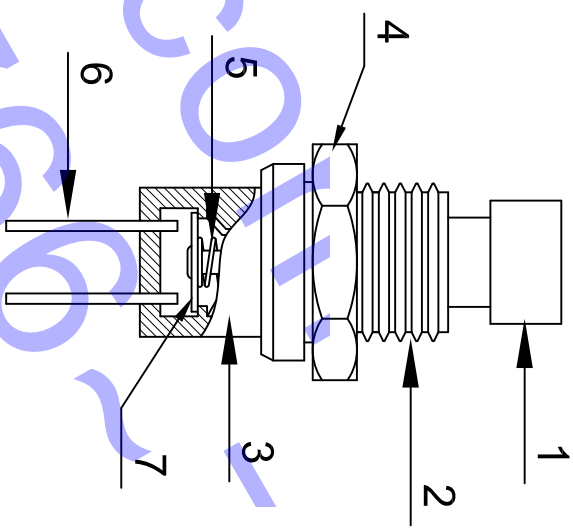
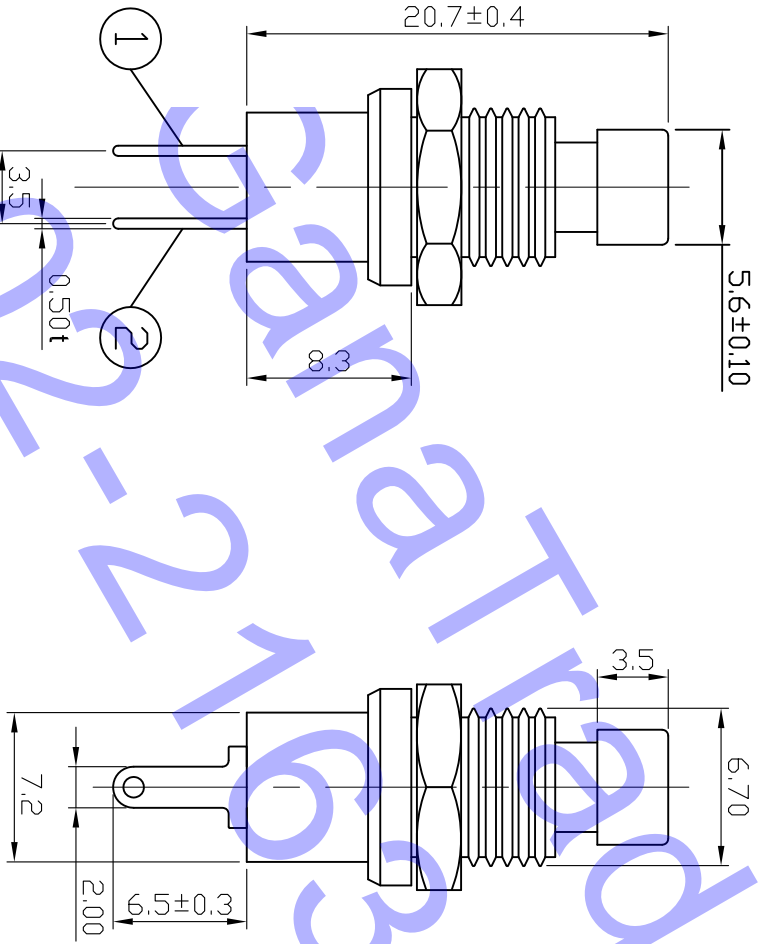
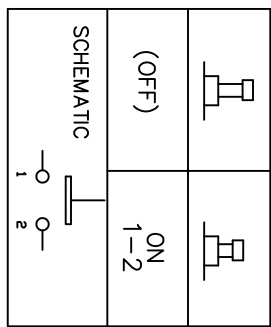
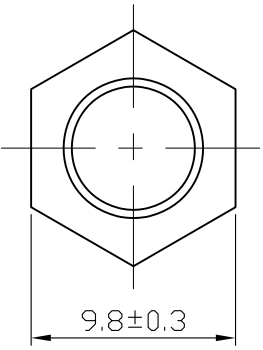


ABIDE BY ROHS



ITEM	PART NAME	TER'NO.	QTY.	MATERIAL	FINISHING	REMARK
⑦	MOVABLE CONTACTOR	1	1	BRASS	Ag-PLATED	
⑥	TERMINAL	2	2	BRASS	Ag-PLATED	
⑤	SPRING	1	1	STAINLESS STEEL		
④	HEXAGON NUT	1	1	BRASS	N-PLATED	
③	BASE	1	1	PC+ABS	BLACK	
②	BUSHING	1	1	BRASS	N-PLATED	
①	HANDLE	1	1	PC+ABS	BLACK	

H D C 有限公司

TOGGLE SWITCHES

TITLE: TOGGLE SWITCHES

PART NO. CTG728314W05

SCALE: 2:1

UNIT: mm

DRAWING NO.

ECN NO.	REV.	DATE	DESCRIPTION	CHANGE	CHECK	APPROV.
	A		NEW			

APPROVALS	DATE
CHECKED	
APPROVALS	